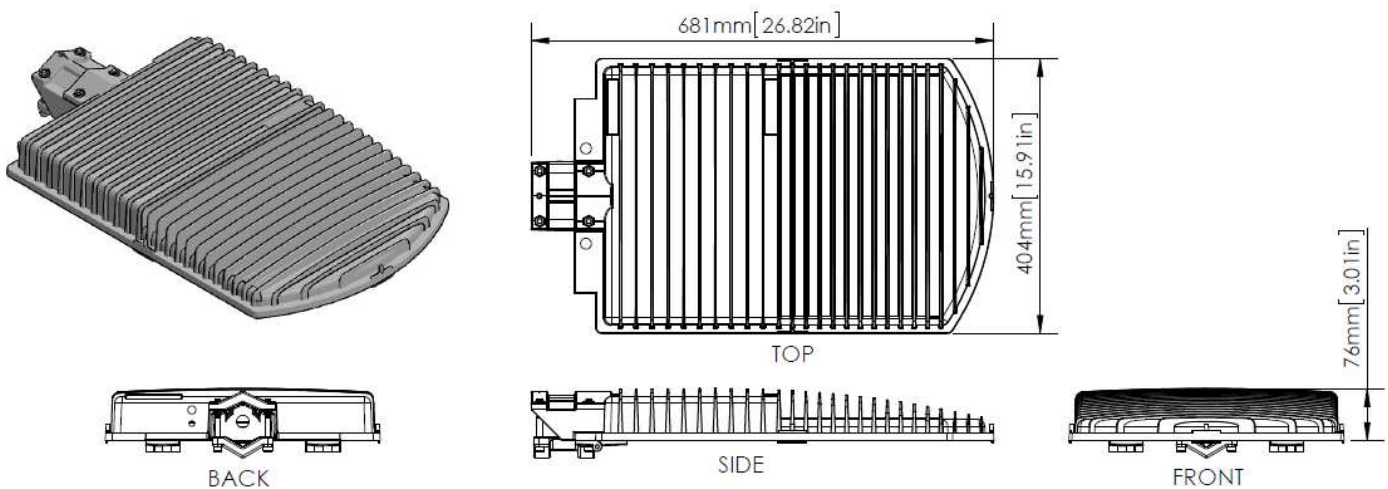


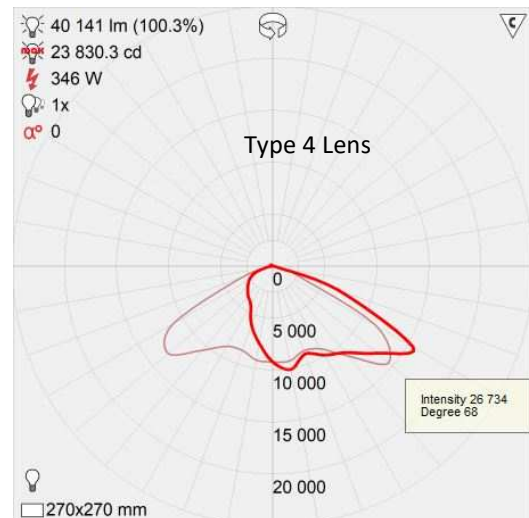
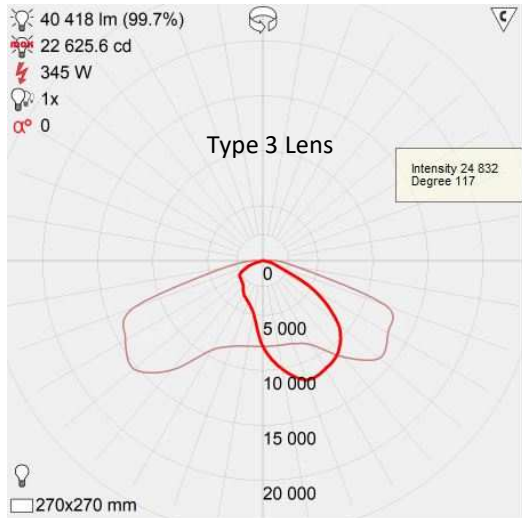


Apollo SL5 medium – The ideal LED lamp for outdoor use that is highly cost-effective. The robust die cast aluminum housing with its finned surface guarantees excellent heat management. The light is ETL listed and conforms to UL STD 1598.

- for street, roadway and parking lot lighting applications
- heat management system assures long LED life and minimal lumen depreciation
- tool-less entry for ease of maintenance
- modular LED design with the ability to easily replace LEDs in the field
- universal mounting design
- best lumens per watt/lumen per dollar in the industry
- mil-spec components to withstand the hottest and coldest climates
- wireless control, UHF or 900 MHz
- optional: Camera, WiFi, LTE, and DVR

Number of LEDs	16/24
Lumen@4000k	35000/40000/60000
Lumen per Watt	116
Typical Power Consumption (W)	280/350/480





Electrical	
Input Voltage	100-277 V AC
Frequency Range	50/60 Hz
Surge Spike Protection	Compliance to EN61000-4-5 6 kV, 10 kV line to ground
Power Factor	0.99
Optical	
Light Source	CREE XHP 70-2
Color Temperature	4000 K
Custom Design Lens Source	LEDIL
Beam Pattern	Type III, IV or V, others on request
Lumen/Watt	116
Environmental	
Operating Temperature	-40 to +85C
Mechanical	
Dimensions	681 x 404 x 76 mm
Weight	18.8 Lbs. (8.5 kg)
Material	Aluminum Alloy / Glass
Wind Load	0.056 m ² = 0.557 sqft
Mounting	Diameter 2.6"/63 mm